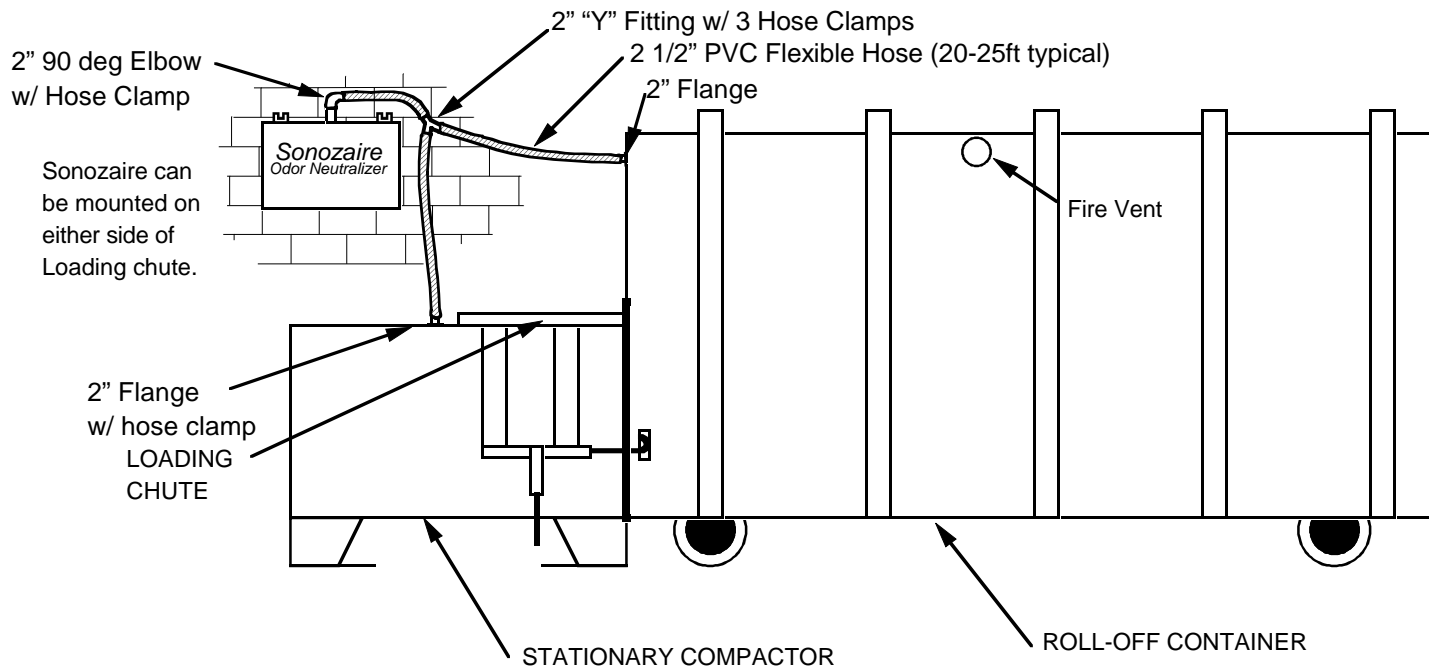
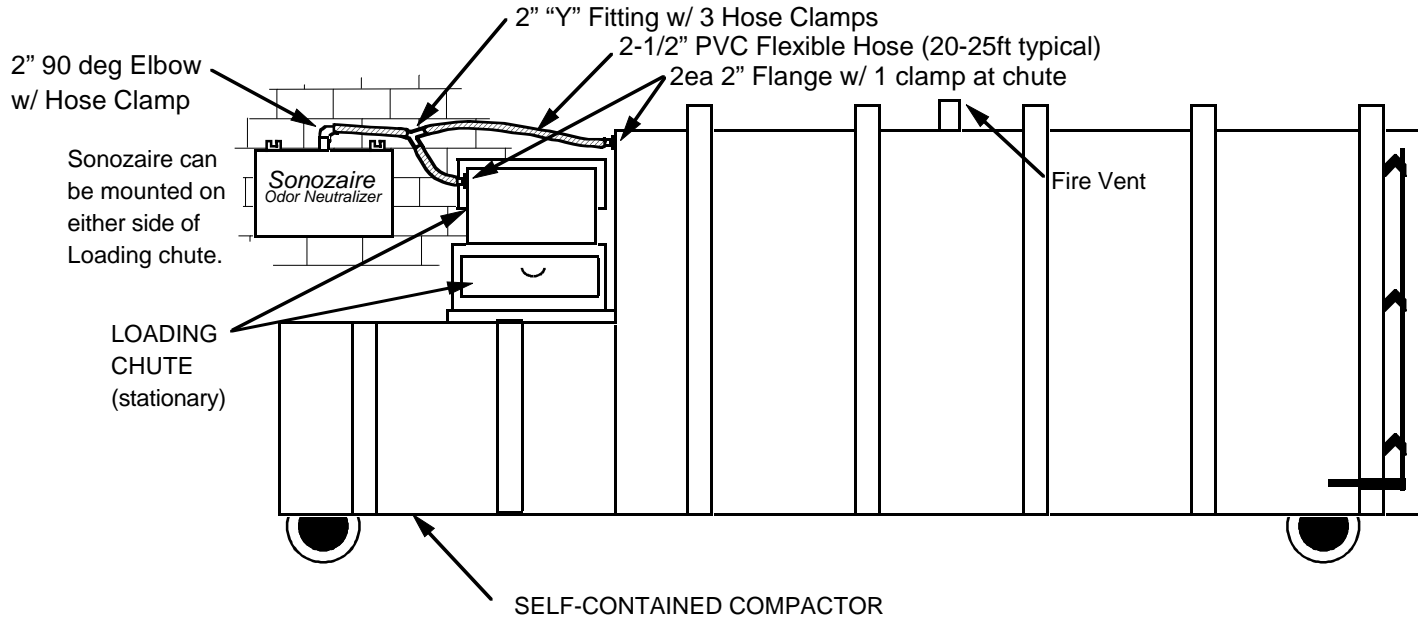


Sonozaire Compactor Installation



NOTES:

1. Mount Sonozaire indoors and pipe outdoors for best installation.
2. Sonozaire units mounted outdoors should be located in a weather protected area or ordered with weatherproof option.
3. Mount the Sonozaire at elevation to prevent moisture from collecting in hose and draining back into the blower.
4. Connect the flex hose and flanges to the compactor and container where the garbage will not clog the Sonozaire air flow.
5. Compactor/container must have ventilation (fire vent) for air to escape.
6. At the container, the flex hose should not have a clamp, to allow the hauler to slip it off when emptying the container.
7. The ozone level should be adjusted to equal the odor level.
8. The Sonozaire will need routine cleaning maintenance for best performance.



SONOZAIRE